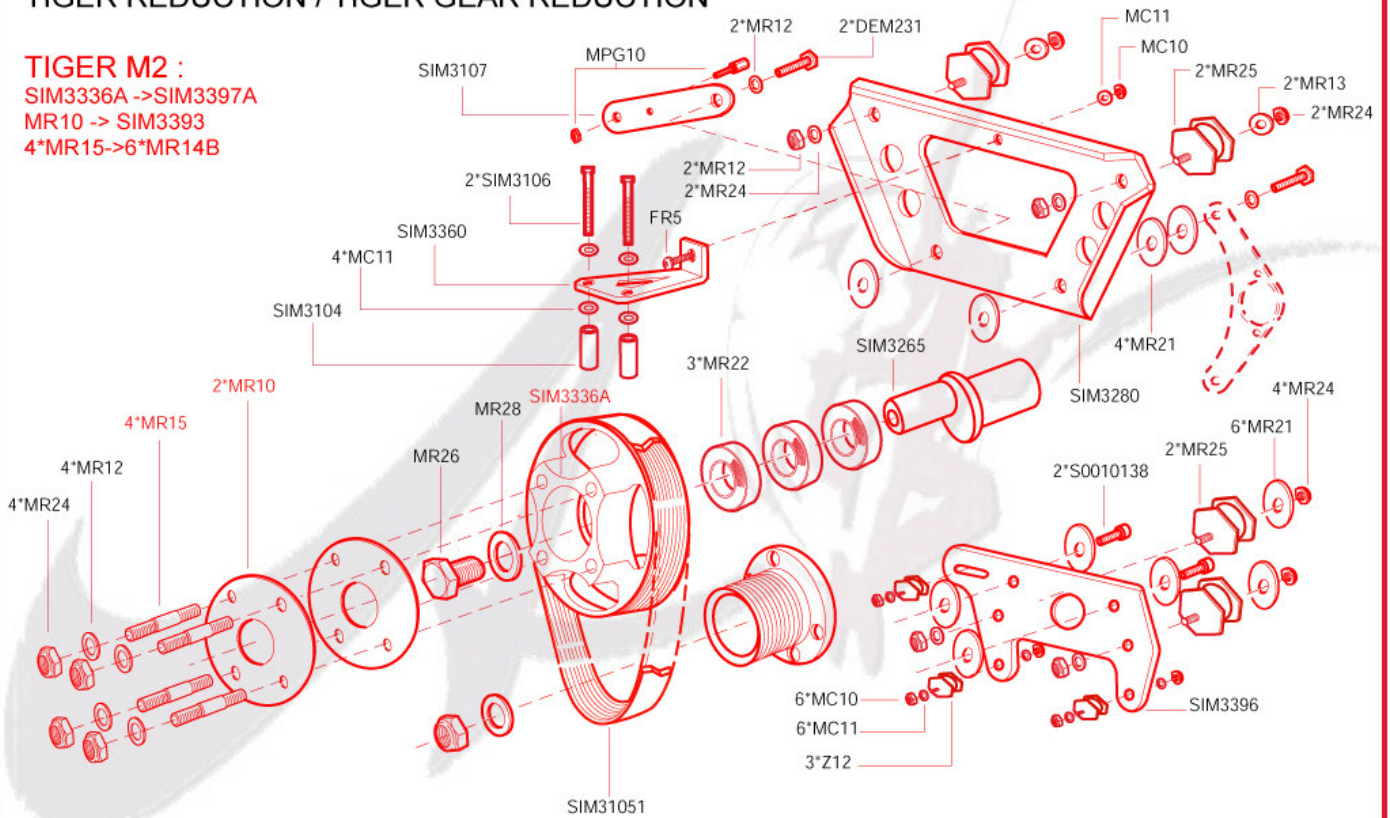


# TIGER REDUCTION / TIGER GEAR REDUCTION

## TIGER M2 :

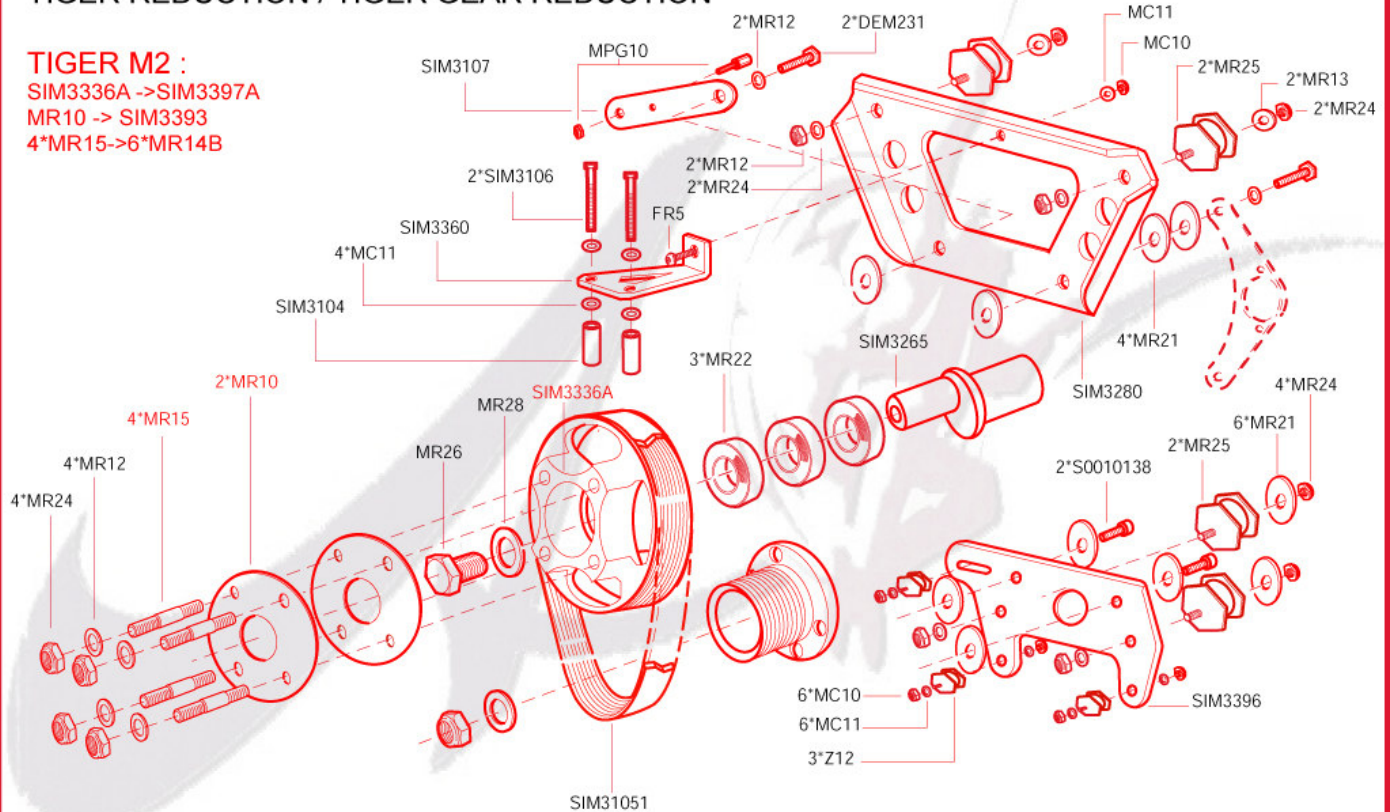
SIM3336A ->SIM3397A  
MR10 -> SIM3393  
4\*MR15->6\*MR14B



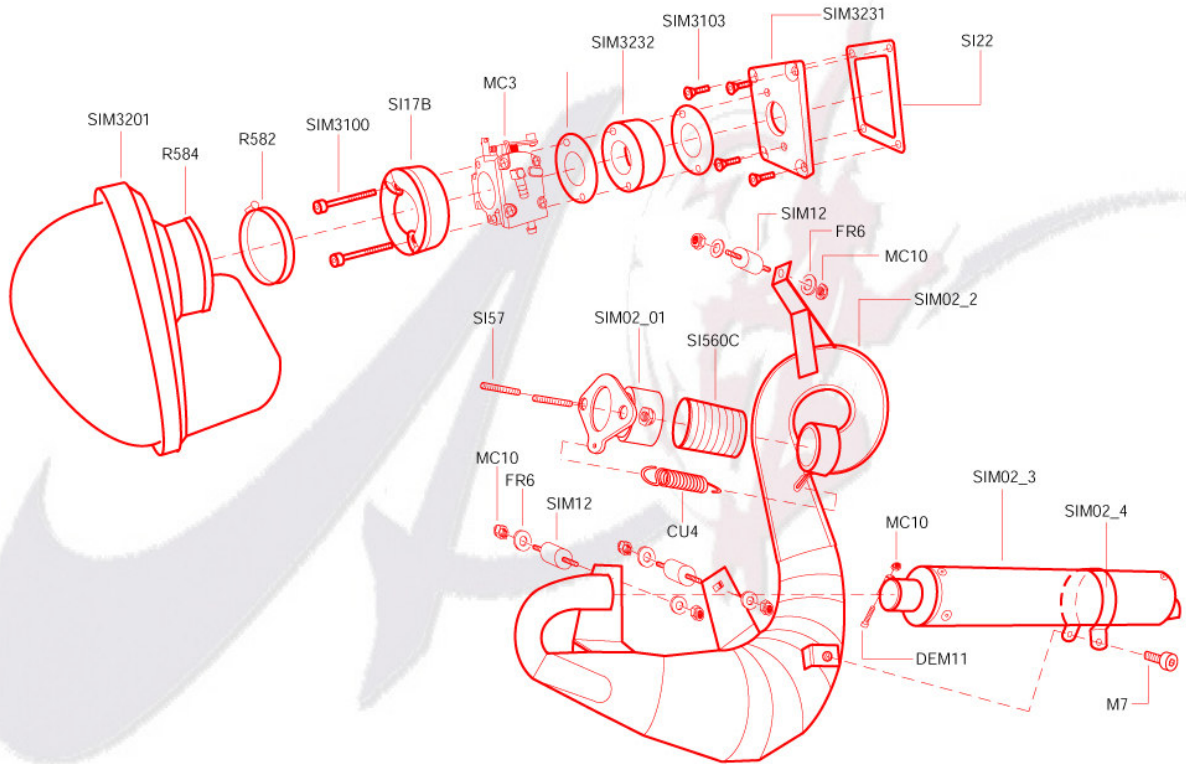
# TIGER REDUCTION / TIGER GEAR REDUCTION

## TIGER M2 :

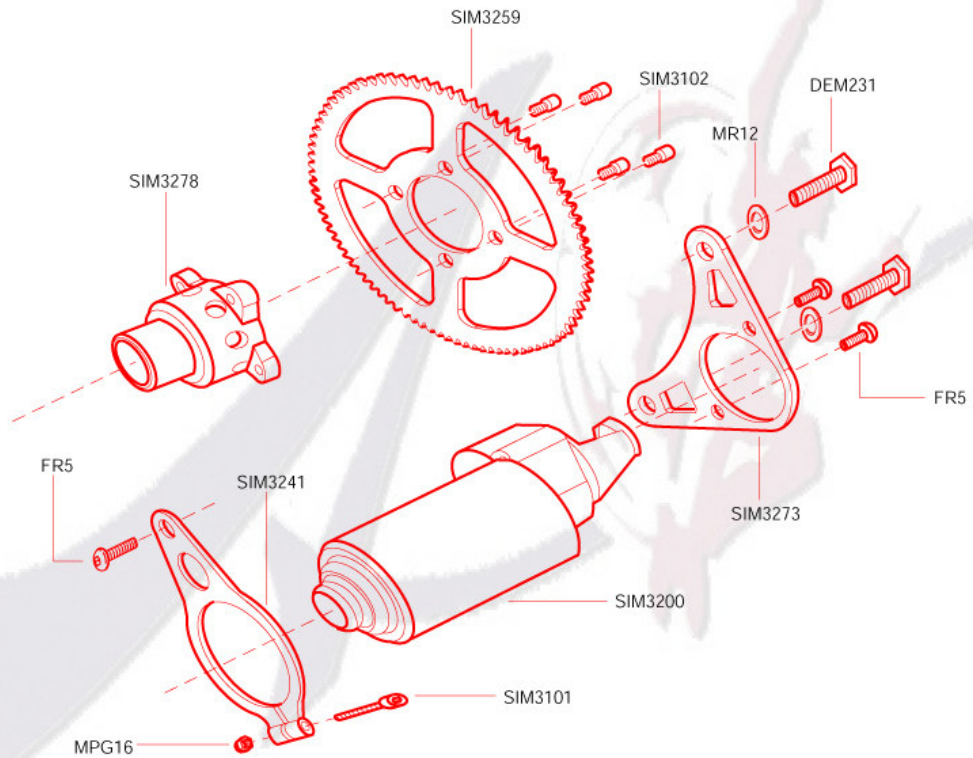
SIM3336A ->SIM3397A  
MR10 -> SIM3393  
4\*MR15->6\*MR14B



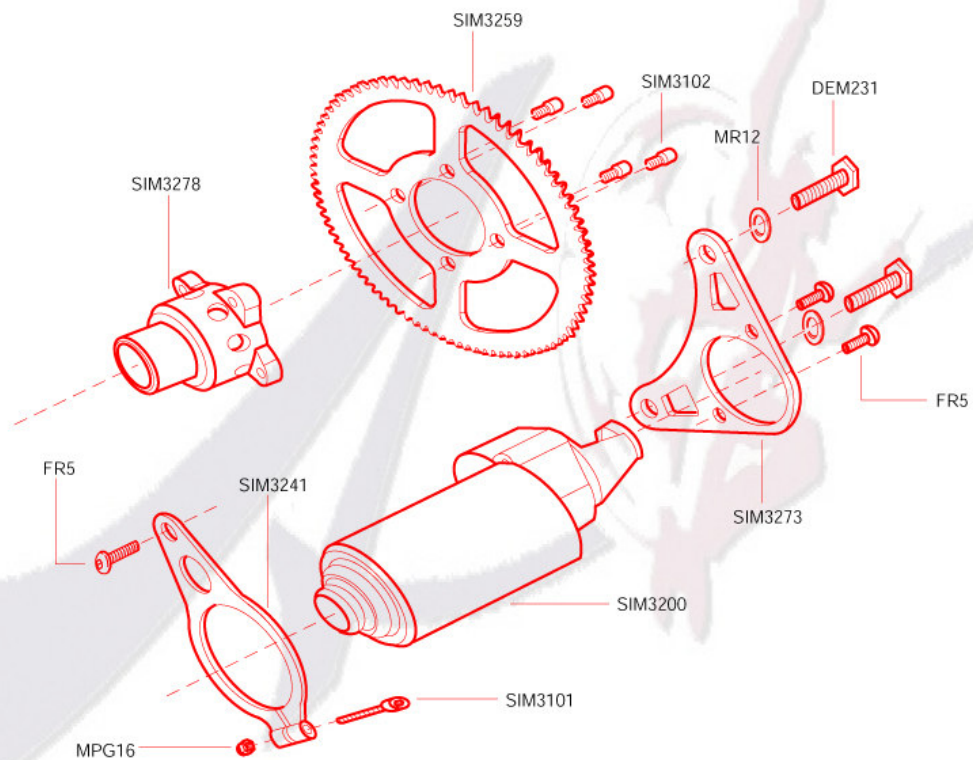
# ADMISSION ECHAPPEMENT TIGER / TIGER AIR INTAKE EXHAUST



# DEMARREUR ELECTRIQUE TIGER / TIGER ELECTRIC STARTER

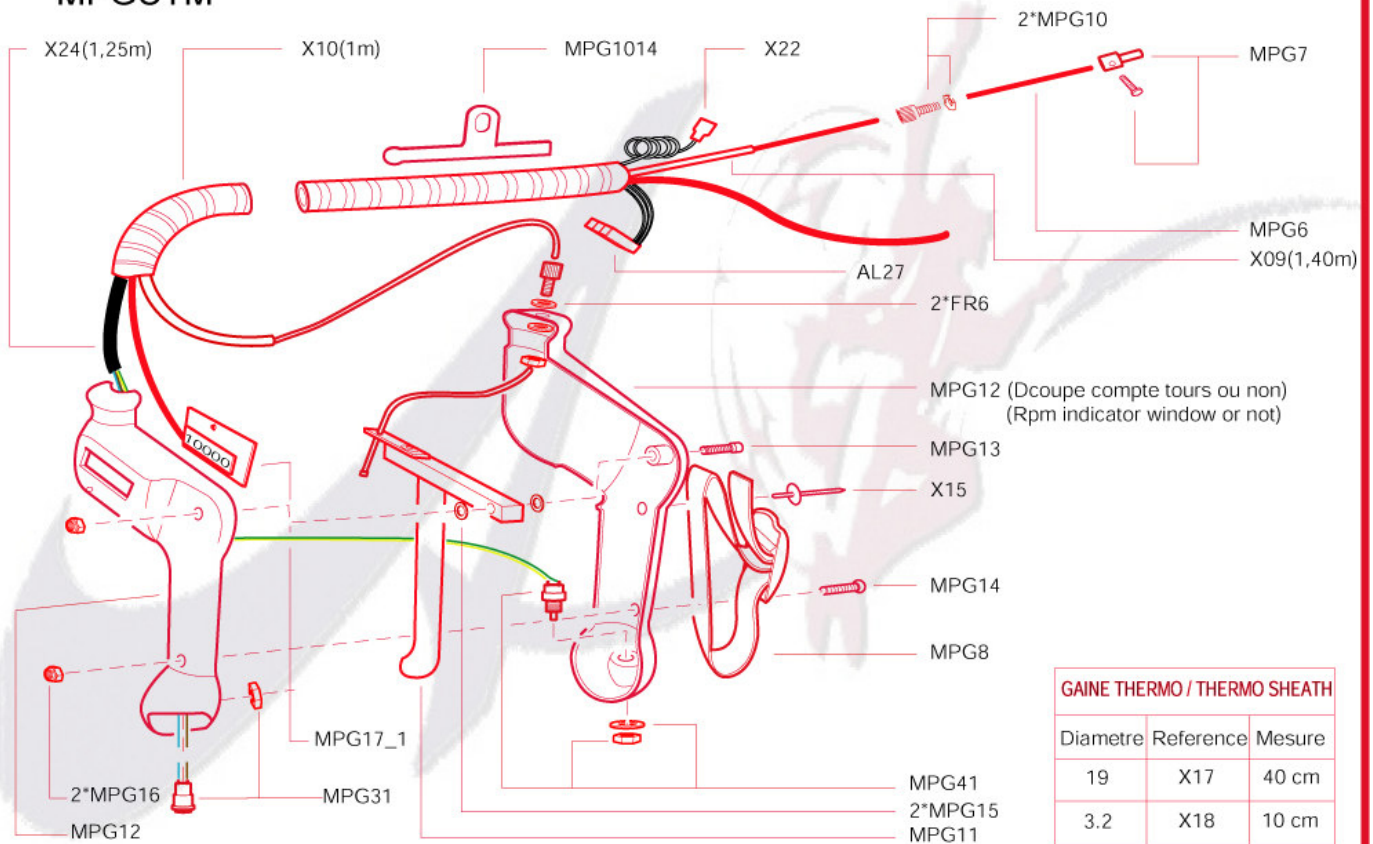


# DEMARREUR ELECTRIQUE TIGER / TIGER ELECTRIC STARTER



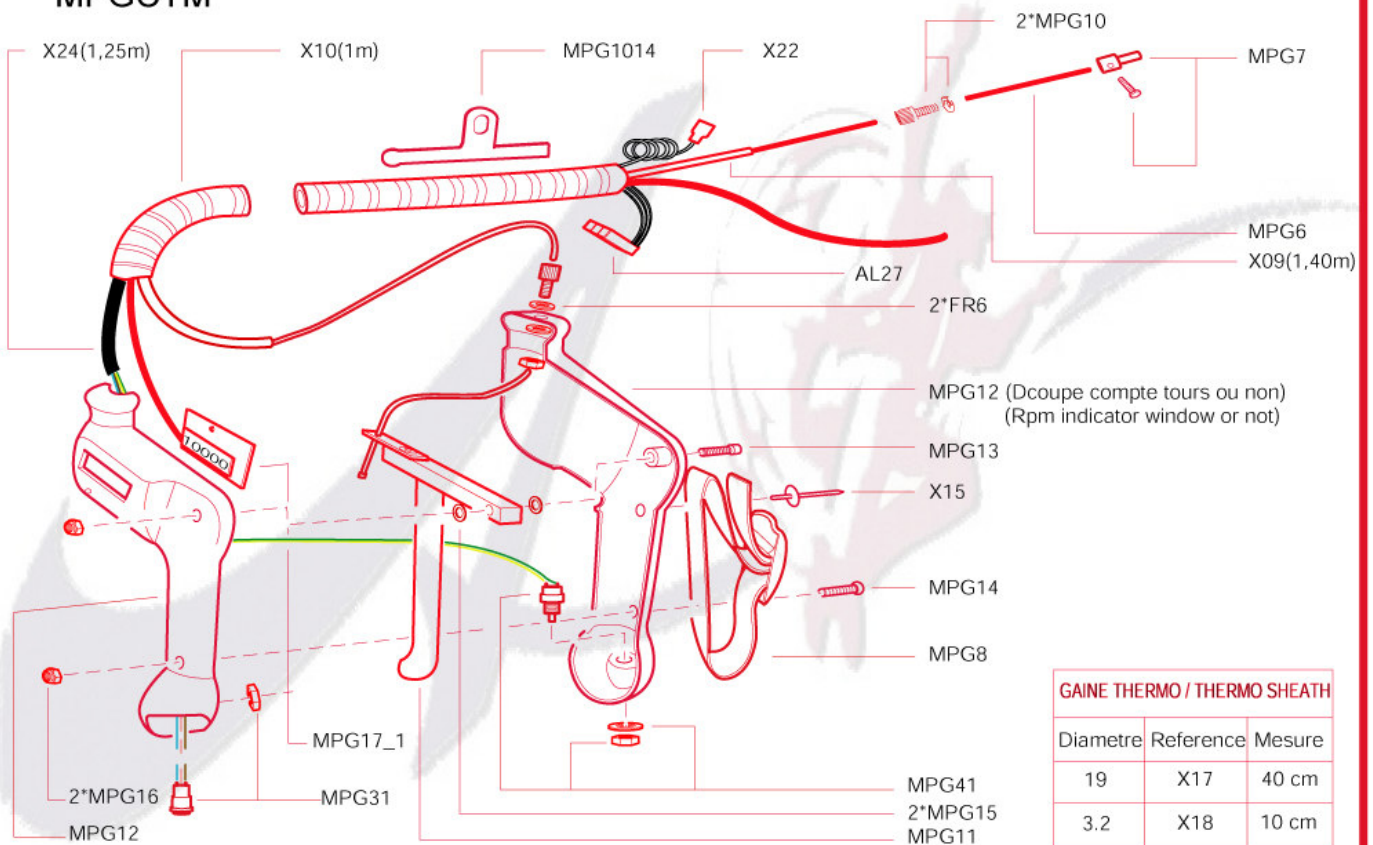
# POIGNEE DE GAZ / HAND THROTTLE ASSEMBLY TIGER MPGCTM

06/03/2006

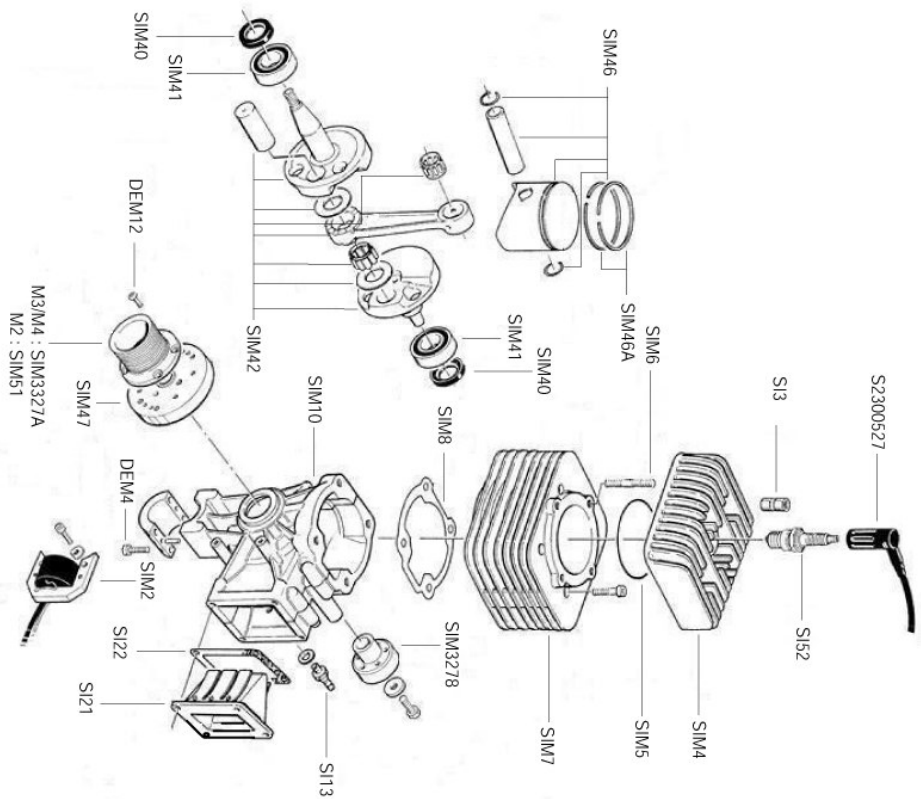


# POIGNEE DE GAZ / HAND THROTTLE ASSEMBLY TIGER MPGCTM

06/03/2006



# MOTEUR TIGER / TIGER ENGINE



# MOTEUR TIGER / TIGER ENGINE

